

Kentaur FTS-L01

Fullheight turnstile



PRINCIPLE

Turnstiles for the automatic access control especially for big event centers such as stadiums or exhibition sites. Space-saving due to interlocking of the turnstile columns. Activation by card reader possible. The doors offer a high level of singling-out of persons, are robust and well proved in practice for many years.

FINISH

Turnstile column stainless steel glossy

- powder coated according to customer's desire
- steel quality V4A, glossy

Steel parts hot galvanized

- and powder coated according to customer's desire

Aluminium parts

powder coated in RAL 9006 (white aluminium)

- powder coated according to customer's desire

CONSTRUCTION

Turnstile column and bars in stainless steel

Portal and housing in steel with space for installations, housing with lockable flaps in aluminium

Barrier element in the middle section in steel, front panels stainless steel clad

Guiding element inside and outside

steel frame with steel sections

FUNCTION

Access

- Type 0: one direction free, opposite direction blocked
- Type 1.1: one direction electrically controlled, opposite direction blocked
- Type 1.2: two directions electrically controlled
- Type 2: Servo positioning drive, two directions electrically controlled

In case of power failure

- Type 0: one direction free, opposite direction blocked
- Type 1.1: both directions blocked or entry direction open
- Type 1.2: both directions open or both directions blocked
- Type 2: both directions optionally open or blocked

Safety devices

The patented end-point locking prevents persons from being locked in (also in case of power failure). Due to low forces safety devices are not necessary for the servo positioning drive.

Kentaur FTS-L01

Fullheight turnstile

ELECTRICAL EQUIPMENT

Electric data

Control unit in the drive housing
 Power supply:
 110 - 230 VAC, 40 VA, 50 - 60 Hz
 Control voltage: 24 VDC

Control unit (type 1.1, 1.2 and 2)

Locking for each direction by means of a ratchet pawl, that can be opened with an electro magnet, 24 VDC.

Activation:

by means of a potential-free normally open contact, e.g. by pushbutton or customer's card reader

In case of control units for 2 directions with servo positioning drive (type 2): inputs and outputs programmable, various adjustment possibilities via PC or manual programming device

OPTIONS

- Plastic console in RAL 9006 (white aluminium), for standard concealed wall outlet \varnothing 65 mm, W/H/D 94/94/58
 - in unit colour
- Aluminium console in RAL 9006 (white aluminium) with aluminium front plate, alternatively W/H/D 140/180/110 or 140/365/110
 - in unit colour
 - plastic front plate (grey), instead of aluminium plate
- Preparation for customer's reader installation (see photo)
- Release pushbutton, protection against vandalism
- Operating panel: Surface-mounted type or concealed type, double or triple box also possible

OPTIONS

- Extension board for the control unit with servo positioning drive (type 2)
- Signal lights (only type 1.2 or 2)
- Counter
- Coin acceptor unit
- Electro key switch
- Manual unlocking
- Random generator (only type 2)
- Horn
- Mechanical lock (only for manual, type 0)
- Roof

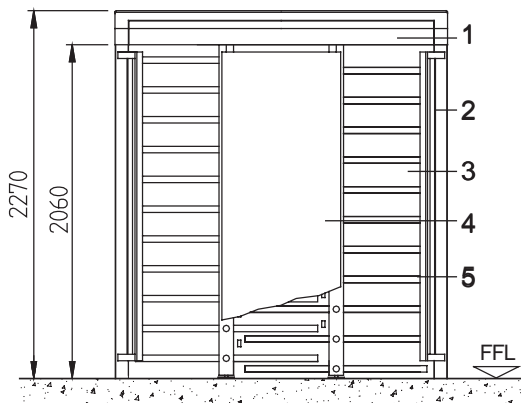
INSTALLATION

in sleeve foundation, measure X = 150 mm

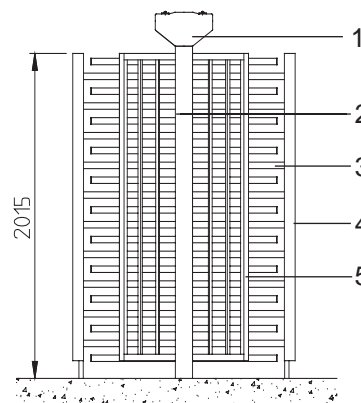
- on finished floor (FFL)
- on structural floor (SFL), X = 150 mm

Foundation plans are provided.

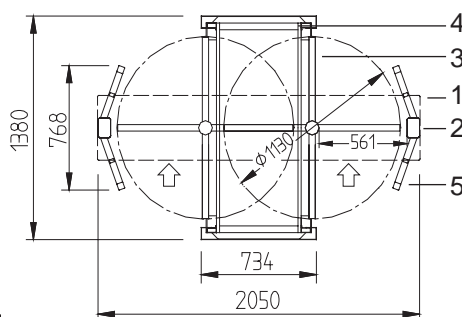
VIEW



SIDE VIEW



GROUND PLAN



Legend

1. Drive- and locking aggregate
2. Portal frame
3. Straight crossbars
4. Barrier element
5. Guiding element with steel tubes

FFL = finished floor level
 SFL = structural floor level

○ optional

We reserve the right for technical modifications

Sales partner: