

Kerberos

TPB-S01

Tripod barriers



PRINCIPLE

Tripod barriers for automatic access control, to be used within view of reception staff to support surveillance or alone combined with card readers.

FINISH

Housing lacquered, paint finish acc. to RAL colours
Base columns in stainless steel satin finish

Individual design on request

CONSTRUCTION

Housing aluminium-cast, base column and plate in stainless steel
○ console fixed on curved tube

Rigid crossbars in stainless steel

Access side

- inwards right (variant A)
- inwards left (variant B)



FUNCTION

Access

Type 2: two directions electrically controlled with servo positioning drive

Drive

Type 2, servo positioning drive: after release and a manual push, the tripod barrier turns automatically 120°. Smooth motion and a longtime life are guaranteed.
Unit also opens under load.

Automatic fold-down

standard: fixed crossbars
○ fold-down of crossbars: to allow free passage for groups or transit of goods, the upper crossbar can be folded down by using the release button.
Thanks to Kaba Gallenschütz patented device, the unit resets automatically.

In the event of power failure

Type 2: both directions turn freely
If crossbars are foldable, the upper crossbar collapses.

When power is restored

If crossbar is folded down, it resets automatically.

Safety devices

For all locking aggregates no safety devices are necessary.

ELECTRICAL EQUIPMENT

Control integrated in unit
Power supply: 110 - 230 VAC,
50 - 60 Hz

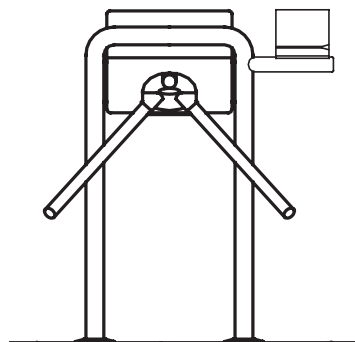
Kerberos TPB-S01

Tripod barriers

OPTIONS

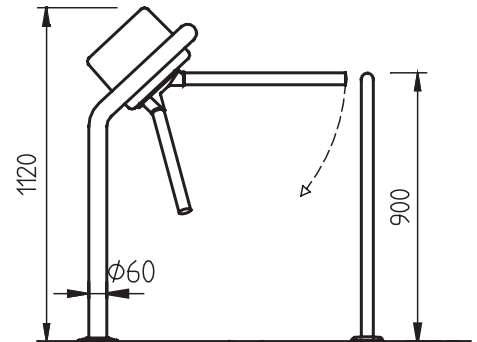
- guiding bars
- swing doors matching the guiding bars
- installation of card reader on curved tube
- signal devices
- release push button
- random generator
- counter
- operating panels for remote control
- fold-down bars

FRONT VIEW



example of curved tube with card reader

SIDE VIEW

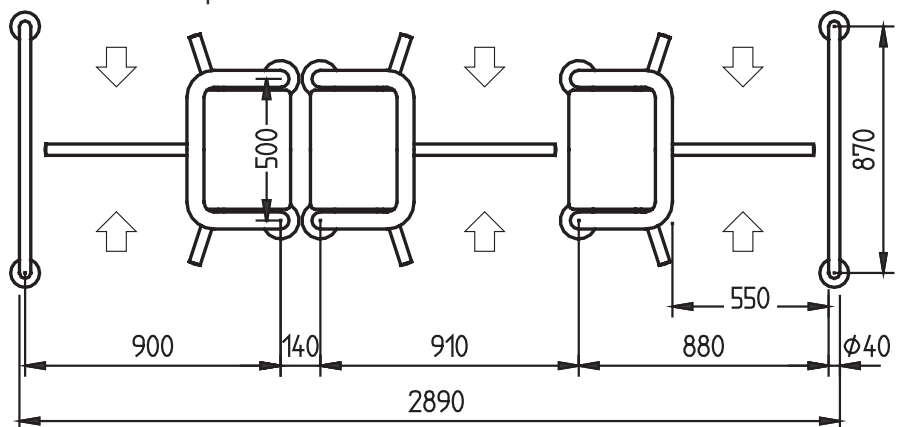


folding of crossbars

GROUND VIEW

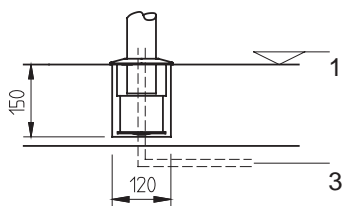
installation example

All measures in mm

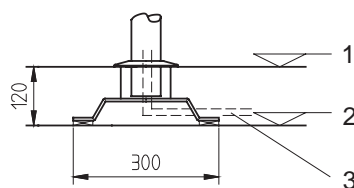


INSTALLATION

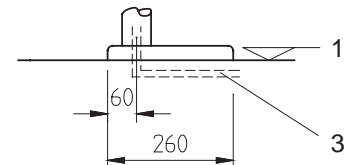
○ cast-in with clamping sleeves



○ on structural floor level (SFL) with base construction



● on finished floor level (FFL) with base plate (620 x 260 mm)



LEGEND

1. FFL
2. SFL
3. conduits
 - 1 x PG 29 (3 x 1,5 mm²)
 - 1 x PG 29 (14 x 2 x 0,8 mm²)
 - 1 x access control system

Suitable for installation outdoors!

┌ Sales partner: ┐

● alternative ○ optional
Subject to technical modifications